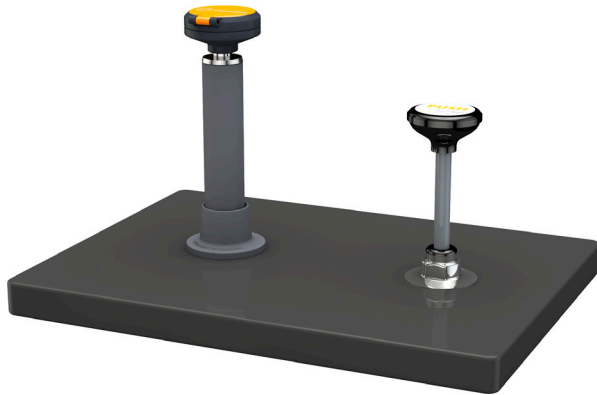




- G5043** Drench Hose Unit, Deck Mounted, Push-Down Valve
- G5300** Drench Hose Unit, Deck Mounted, Ball Valve with Flag Handle



G5043



G5300

Application: Drench hose unit for deck mounting. Ideal for rinsing any part of user's eye, face or body. *Note: Under ANSI Z358.1-2014, drench hose units supplement, but do not replace, other types of emergency equipment.*

Spray Head: Single FS-Plus™ spray head. Spray head has "flip top" dust cover, internal flow control and filter to remove impurities from the water flow.

Valve: 1/2" IPS brass stay-open valve. G5043 has valve mounted below counter and activated by push-down knob. G5300 has valve mounted above counter and activated by flag handle.

Hose: 8' reinforced PVC hose. 275 PSI maximum working pressure.

Mounting: Unit has deck flange for countertop mounting.

Supply: 1/2" NPT male inlet.

Sign: ANSI-compliant identification sign.

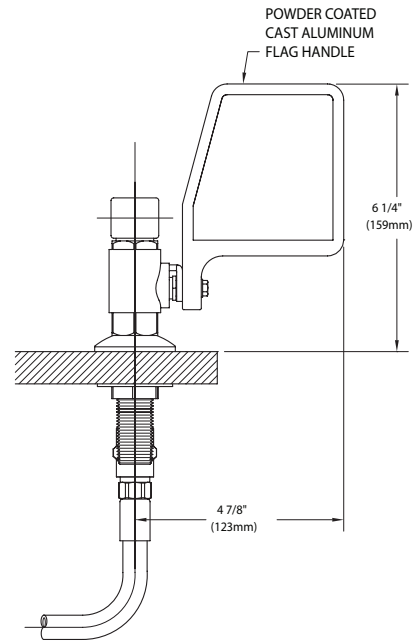
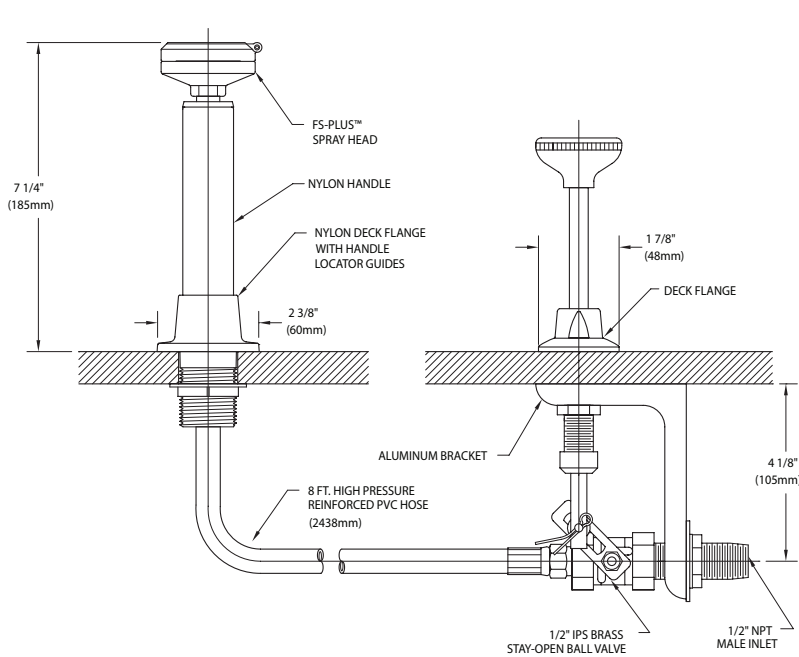
Quality Assurance: Unit is completely assembled and water tested prior to shipment.

Available Options

- G6020** Thermostatic mixing valve precisely blends hot and cold water to deliver tepid water as required by ANSI Z358.1-2014. Refer to "Thermostatic Mixing Valves" section for complete technical and product selection information.
- HG** Undercounter hose guide bracket to prevent hose from tangling or binding.
- BP** In-line dual check backflow preventer installed on inlet of hose. *Note: Check with code authority for compliance with local plumbing code.*
- VB** Atmospheric vacuum breaker deck mounted (G5043VB) or installed on outlet of ball valve (G5300VB).



- **G5043** Drench Hose Unit, Deck Mounted, Push-Down Valve
- **G5300** Drench Hose Unit, Deck Mounted, Ball Valve with Flag Handle

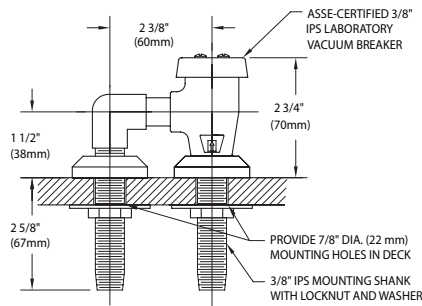


NOTES:

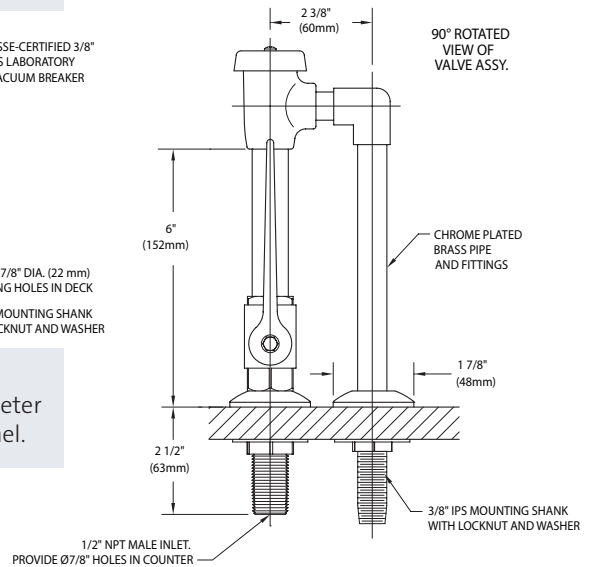
1. FS-PLUS™ SPRAY HEAD HAS A "FLIP-TOP" DUST COVER, INTERNAL FLOW CONTROL AND FILTER TO REMOVE IMPURITIES FROM THE WATER FLOW.
2. HOSE SHOULD NOT BE USED IN APPLICATIONS WHERE WATER PRESSURE EXCEEDS 90 PSI. HOSE SHOULD BE INSPECTED PERIODICALLY FOR DETERIORATION.
3. UNIT FURNISHED FOR MOUNTING ON COUNTERTOPS FROM 1/8" UP TO 1 1/2" THICK.
4. PROVIDE 3/4" ROUND CUT-OUT FOR VALVE AND 1 3/8" ROUND CUT-OUT FOR DECK FLANGE.

G5043
Provide 3/4" diameter hole in countertop for valve.

G5300
Provide (2) 7/8" diameter holes in countertop.



G5043VB
Provide (2) 3/4" diameter holes in wall or panel.



G5300VB
Provide (2) 7/8" diameter holes in countertop.

Sign Included



THIS SPACE FOR ARCHITECT/ENGINEER APPROVAL

Due to continuing product improvement, the information contained in this document is subject to change without notice. All dimensions are ± 1/4" (6mm). rev. 080918

